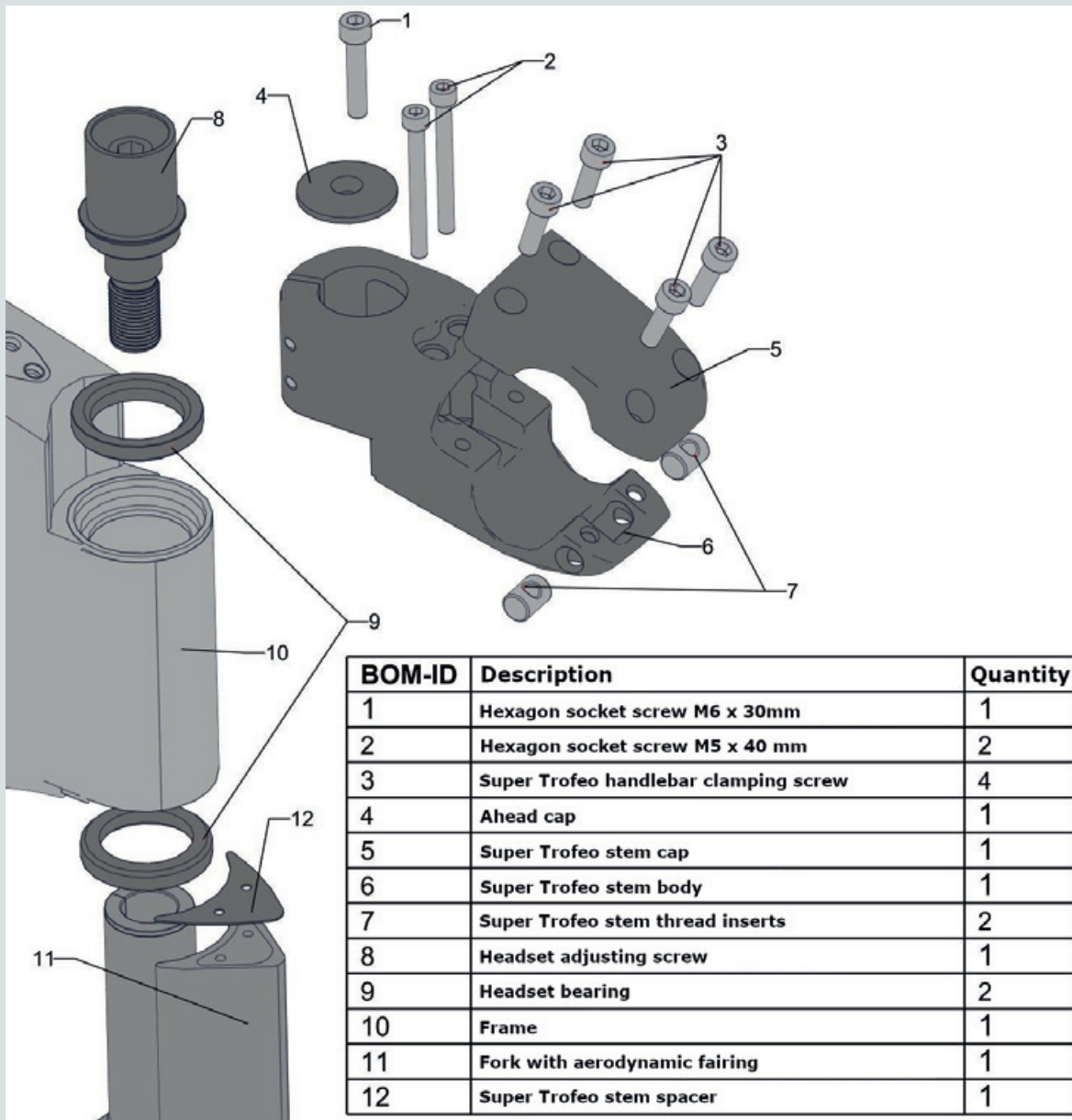
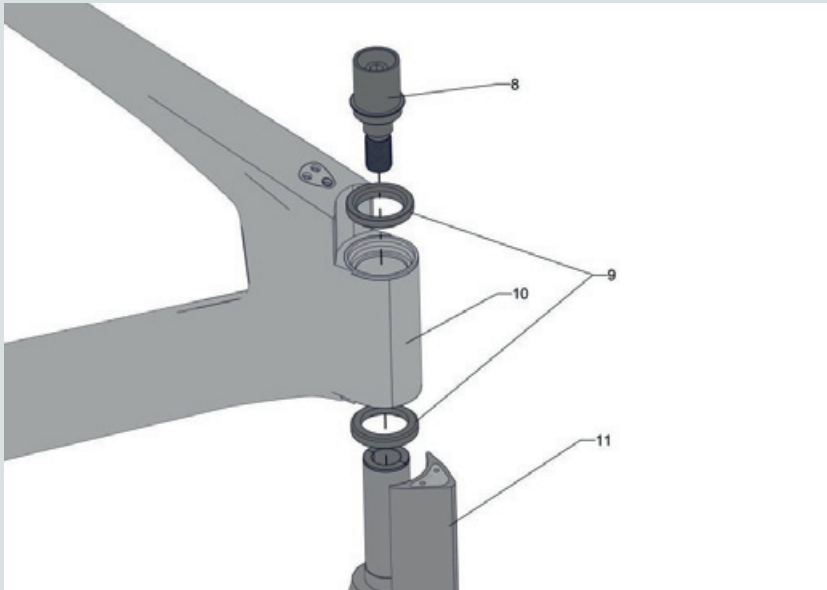


Assembly instructions stem update for Super Trofeo

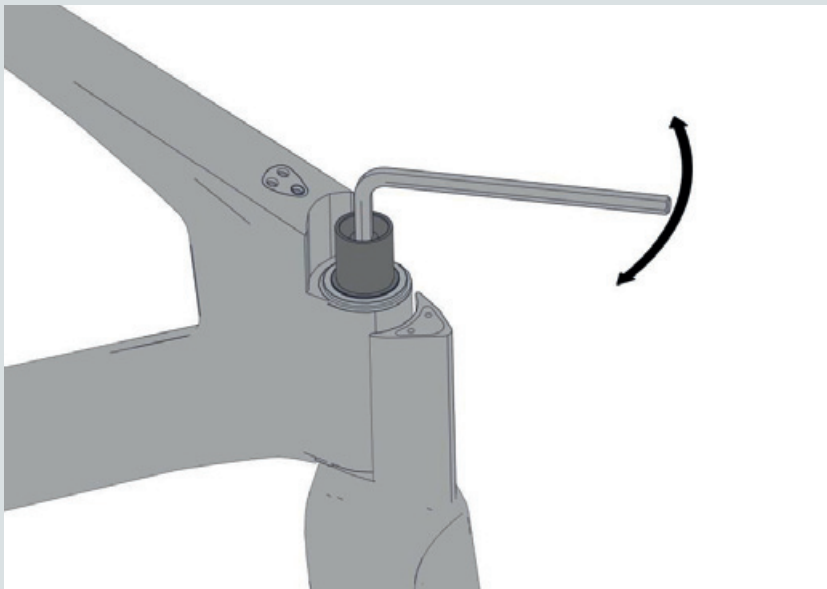
This instruction shall assist you in assembling the new stem of the Super Trofeo. The illustrations refer to a stem version with 75mm length, 0mm rise, but it can be also used for the version with 95mm length, 30mm rise.



1. Assembly of the fork

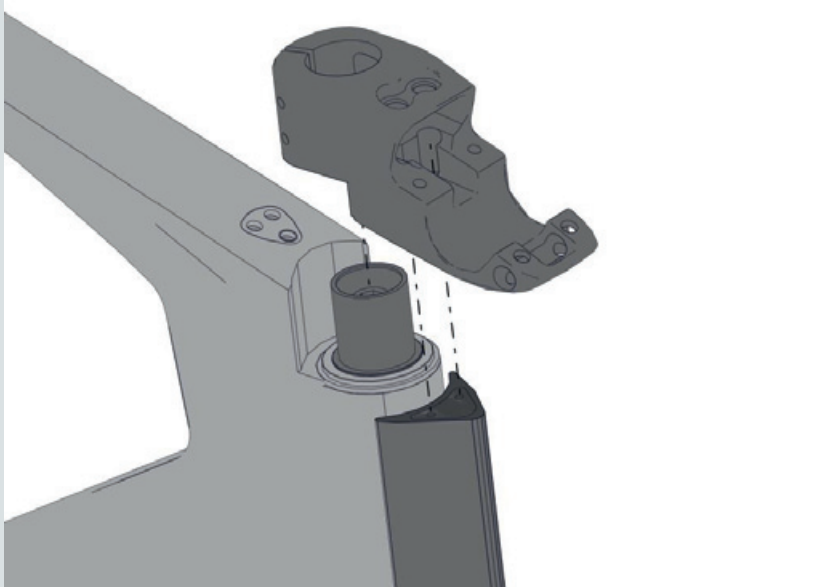


The bearing between the frame and the fork comprises the components shown. These components are needed for adjusting and using the bike. Please grease the thread of the head-bearing adjusting screw (no. 8) and the contact surfaces of the bearings (no. 9).



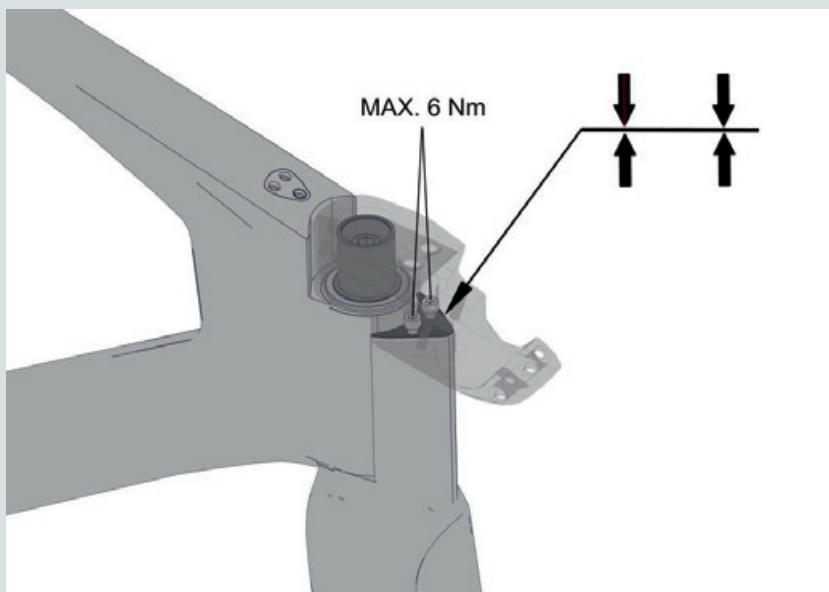
After assembling all parts, you can adjust the bearing clearance by means of the head-bearing adjusting screw and an Allen wrench.

2. Assembly of the stem



Slightly grease the outside of the head-bearing adjusting screw before fitting the stem. Ensure that the stem slides directly over the aerodynamic fairing of the fork. The threads for fastening the stem to the aerodynamic fairing are now visible from above and readily accessible.

Note: If a spacer (no. 12) is already mounted between the aerodynamic fairing and the stem you should remove said spacer. During the assembly it has to be checked whether the spacer should be mounted or not.

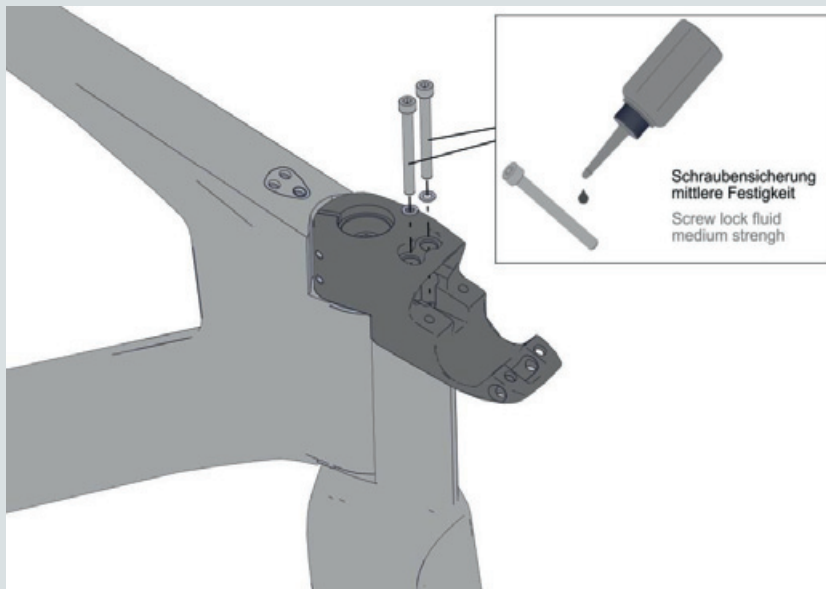


Please tighten the stem by means of the screws (no. 2 M5 x 40mm) by 6Nm thus fixing the stem on the fork.

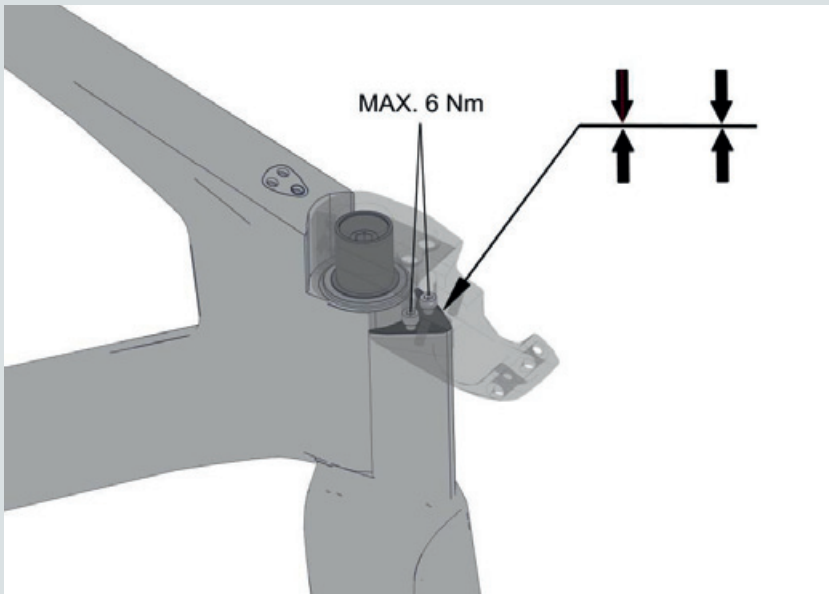


If the stem can be easily rotated after tightening, you can proceed with the next step.

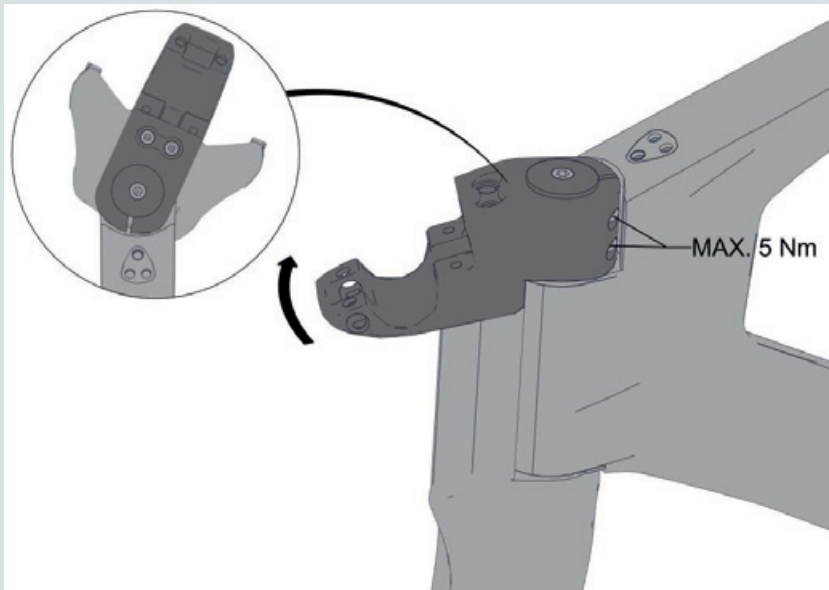
If it is hard to rotate the stem or if the stem drags on the frame you should insert the attached spacer (no. 12) in step 2 between aerodynamic fairing and stem. After that check once again for smooth running and repeat the process from step 2 if necessary.



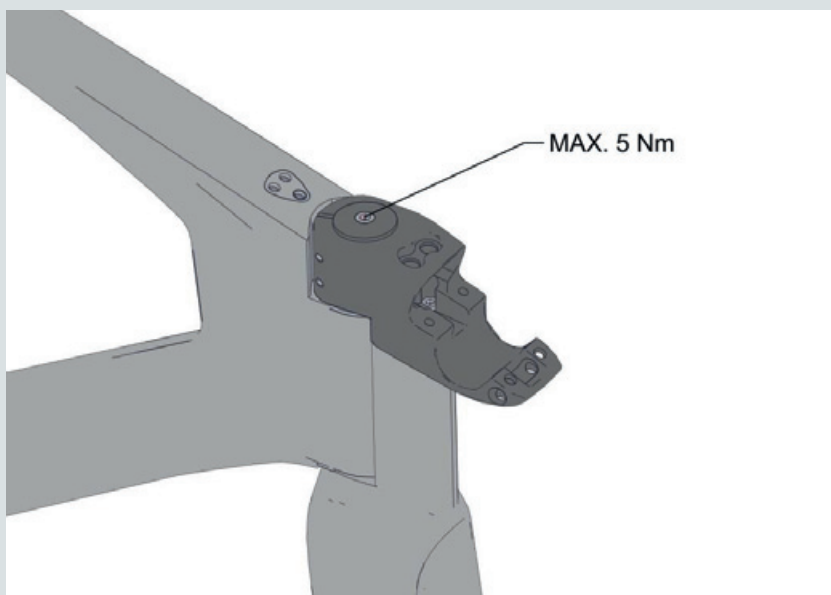
Remove the screws (no. 2 M5 x 40mm) and insert them again with a **medium strength threadlocker**.



Tighten the stem with max. 6Nm. Now the stem is in its ultimate position.

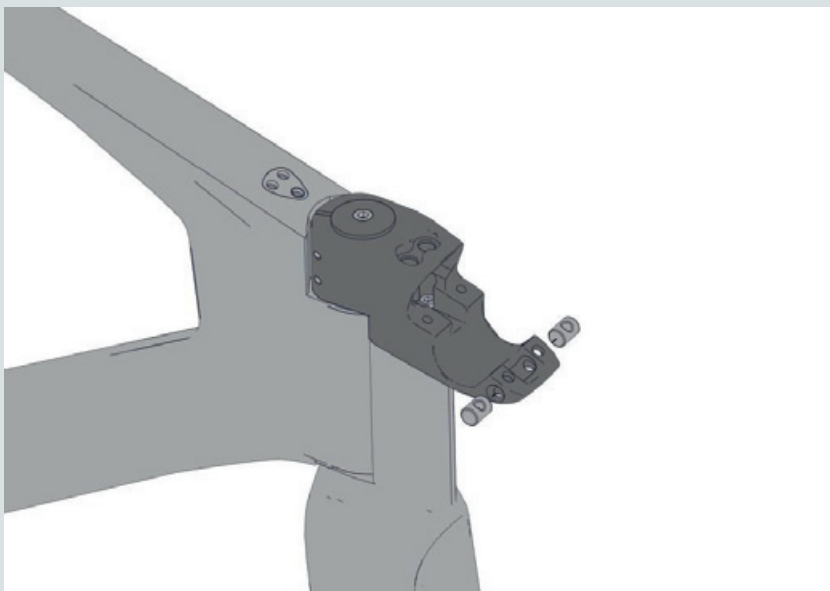


In order to tighten the side screws of the stem turn the stem slightly to the right so that the screws are easily accessible. Tighten the screws with max. 5Nm. Now it is not possible to tilt the stem.



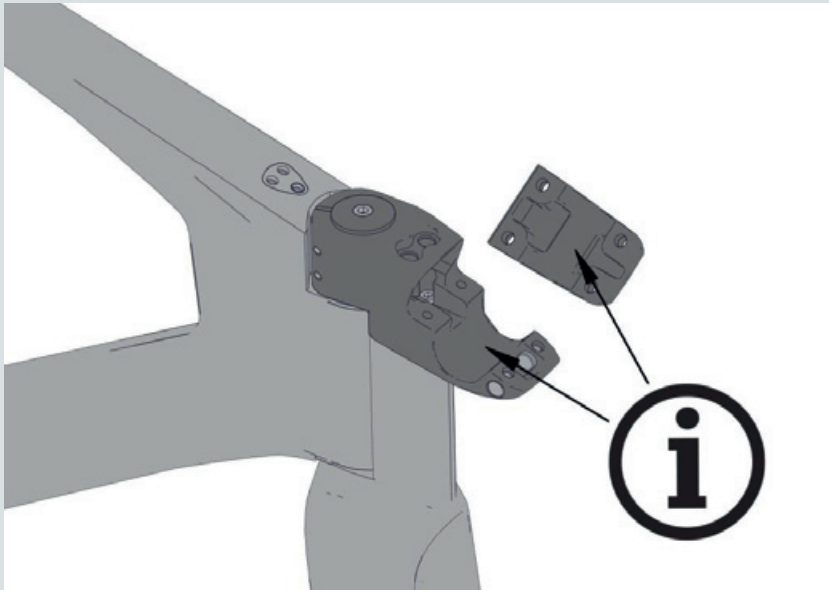
Mount the Ahead cap (no. 4) now. In this case you should tighten it with 5Nm.

Note: The bearing clearance will not change hereby. The cap is only a cover.



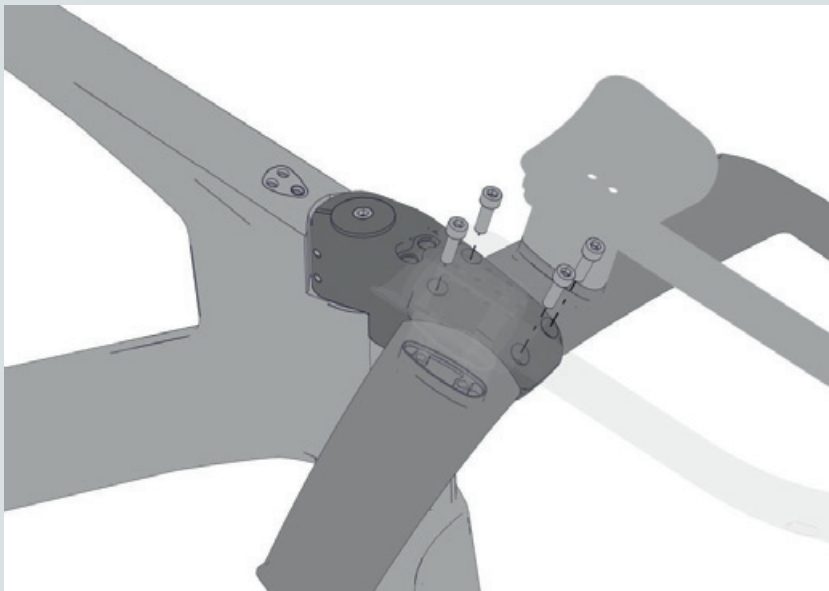
Grease the thread inserts (no. 7) slightly before inserting them and slide them from the side into the stem. For easier mounting you should align the threads and the screw holes.

3. Assembly of the handlebar



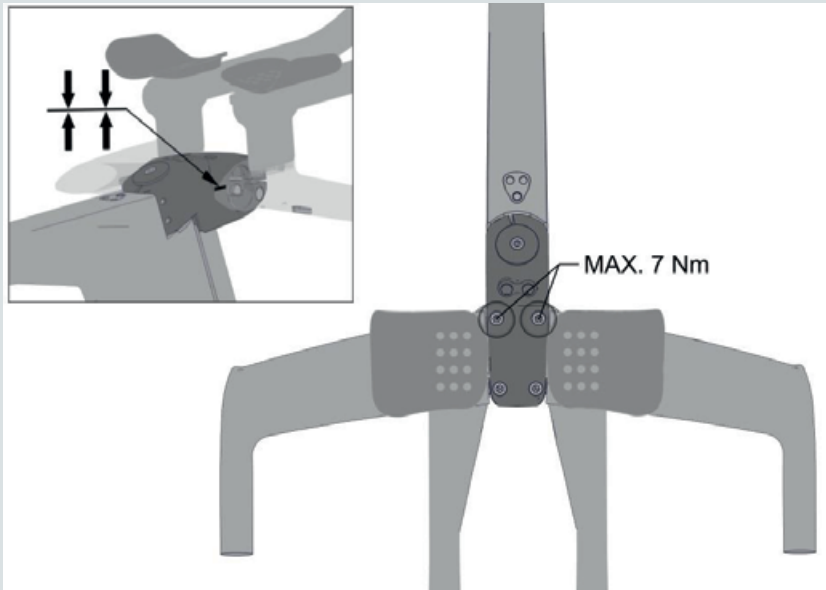
Before mounting apply a **particle assembly paste** (carbon paste) on the clamping surfaces of the handlebar.

Safety note: Do not apply grease during mounting. This could result in a danger for the rider.

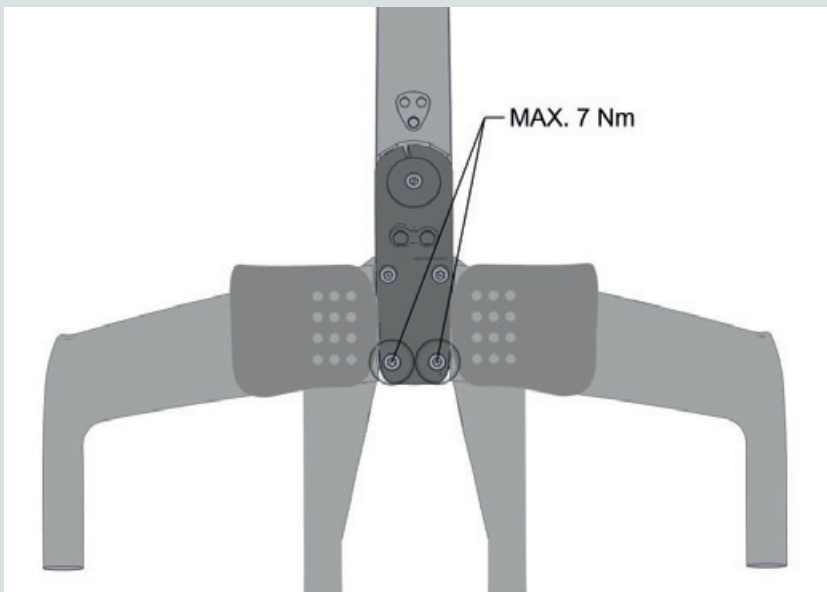


Mount the handlebar and the stem cap. Tighten the 4 stem screws by approx.. 5 turns. Do not screw them finally tight. Grease the screws before mounting them.

Note: The cap (no. 5) should remain movable.



Tighten the rear screws (no. 3, circled) with max. 7Nm. Hereby the stem cap should fully lay on the stem body (no. 6). If this is not the case, you should loosen the front screws a bit.



Tighten the indicated screws (no. 3) with max. 7 Nm. Tighten the screws alternating (right - left) in order to avoid tilting.

Note:

For readjusting/adjusting the head-bearing you should first remove the Ahead cap and then loosen the side stem screws. Now you can adjust the head-bearing by means of the headset adjusting screw (no. 8). No other dismantling is needed. After that tighten the side stem screws with max. 5Nm first and then the Ahead cap with max. 5Nm.