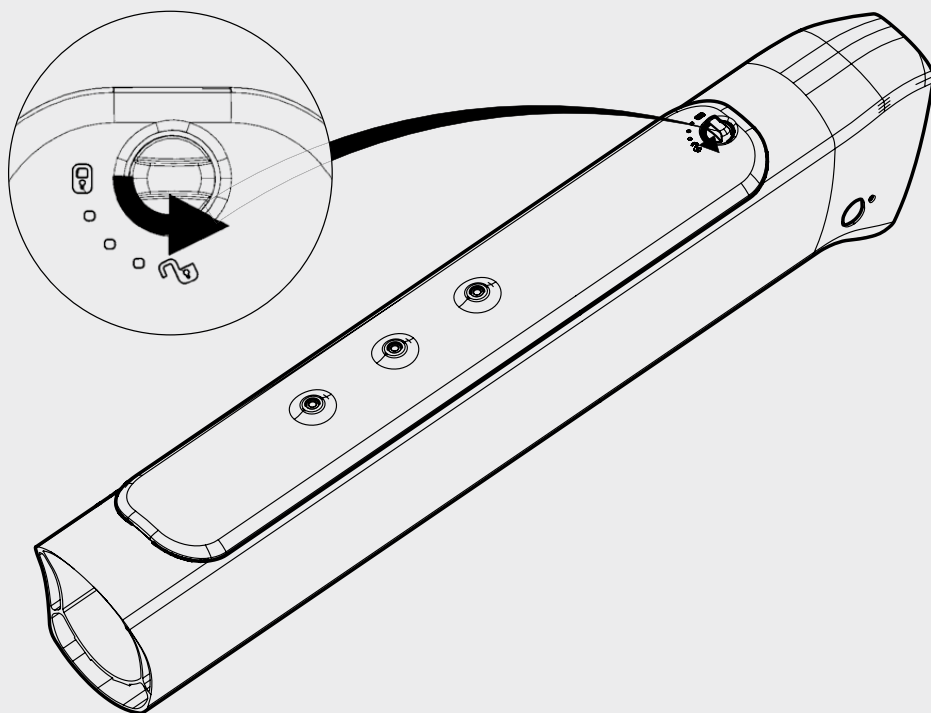


## **HANDLING INTEGRATED BATTERY COMPONENTS ON STEVENS E-BIKES**



**ASSEMBLY AND HANDLING OF THE COVER AND BATTERY REMOVAL,  
OPERATION THE CHARGING SOCKET, SAFETY AND OTHER INSTRUCTIONS FOR USE**



**This manual is intended to give you an introduction to the handling of battery components of STEVENS e-bike models.**

**You will find STEVENS specific instructions such as how to remove the battery and charge the battery when it is installed.**

**Further instructions and information can be found in the Bosch manual.**

**The pictures shown are schematic drawings, and may differ slightly from reality.**



## Content

### Open and close battery cover\*

- |   |           |
|---|-----------|
| <input type="checkbox"/> Battery semi-integrated, 2 threads                   | <b>03</b> |
| <input type="checkbox"/> Battery fully integrated, top cover, 3 threads       | <b>04</b> |
| <input type="checkbox"/> Battery fully integrated, bottom cover (E-Inception) | <b>05</b> |
| <input type="checkbox"/> Battery semi-integrated, bottom cover                | <b>06</b> |
| <input type="checkbox"/> Battery fully integrated, bottom cover (E-Hardtail)  | <b>07</b> |

**Battery removal** **08**

**Insert battery** **12**

**Recharging on the bike** **14**

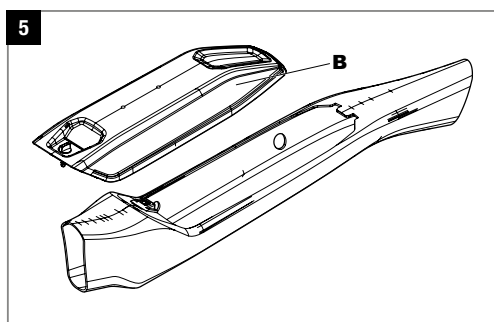
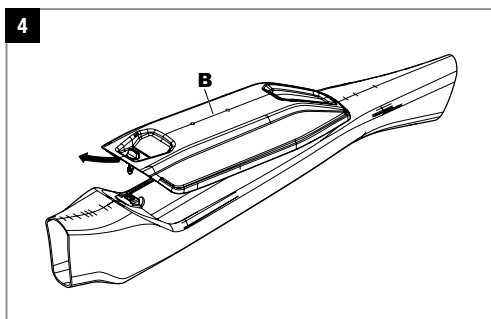
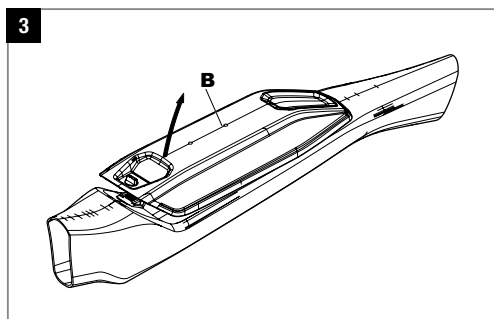
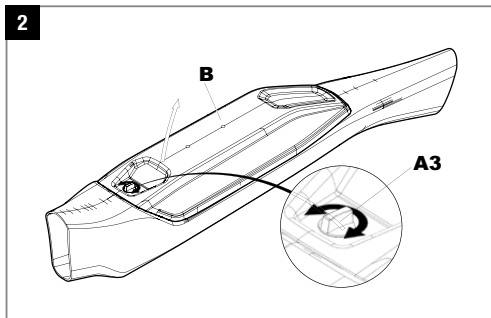
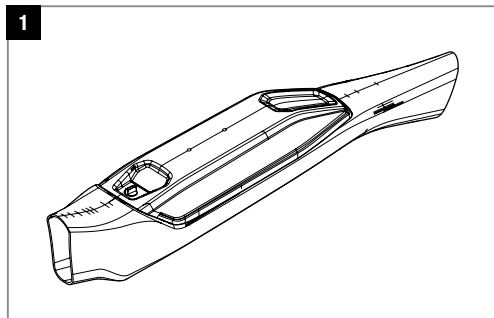
**Water bottle boss threads** **18**

**Notes** **19**

\*Please mark the installed battery component above, or ask your STEVENS dealer.



## 1. Open and close battery cover | Battery semi-integrated, 2 threads



Turn the shutter (A3) clockwise or counterclockwise. The cover (B) will automatically release from the fixation. **2**

You can now lift the cover (B) from the clamp in the frame by slightly tilting it forward. **3**

The cover (B) can then be removed on the back and sides. **4**

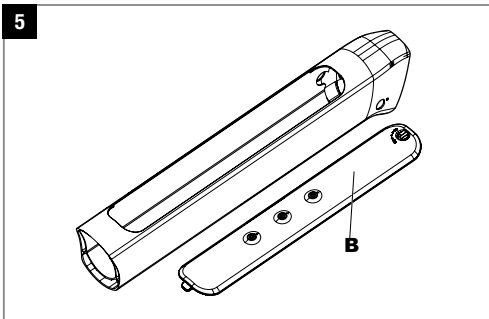
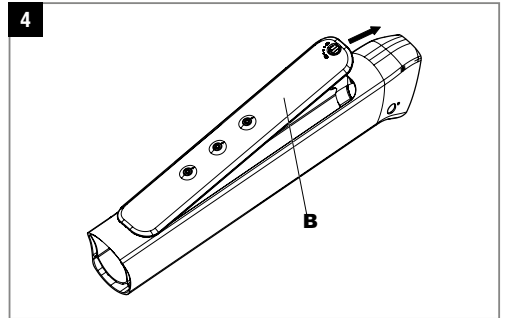
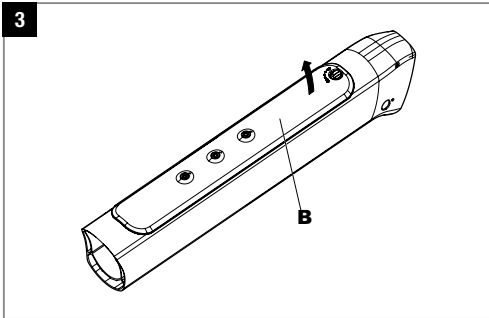
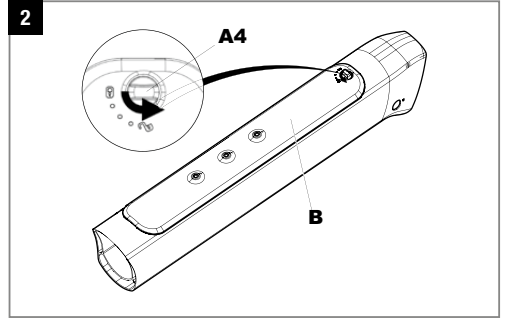
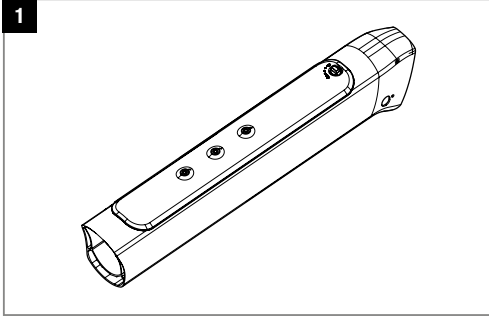
The cover (B) is now completely separated from the frame. **5**

**Note:** To close, reattach the cover in the reverse order.

### WARNING

Before each journey, check that the battery cover is correctly and firmly seated. Loosening and dropping the cover while driving can lead to an accident with hardly foreseeable consequences up to death.

## 1. Open and close battery cover | Fully integrated battery, top cover, 3 threads



Turn the shutter (A4) counterclockwise. This releases the cover (B) from the fixation. **2**

You can now lift the cover (B) off the frame by slightly tilting it backwards. **3**

The cover (B) can then be removed on the front and sides. **4**

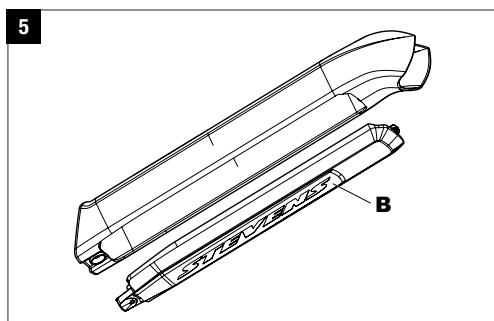
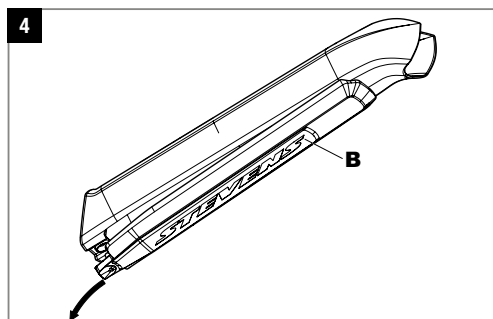
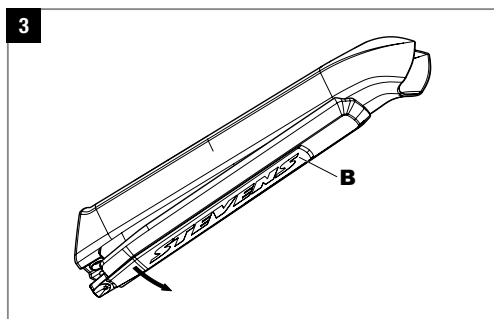
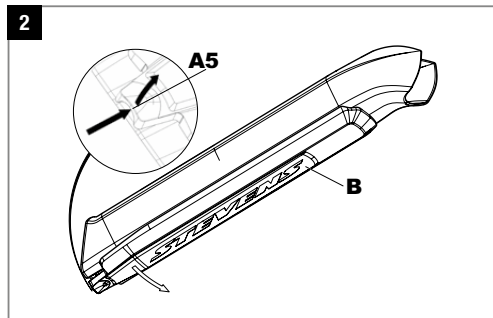
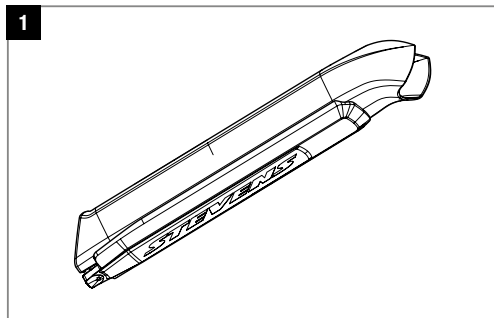
The cover (B) is now completely separated from the frame. **5**

**Note:** To close, reattach the cover in the reverse order.

### WARNING

Before each journey, check that the battery cover is correctly and firmly seated. Loosening and dropping the cover while driving can lead to an accident with hardly foreseeable consequences up to death.

## 1. Open and close battery cover | Battery fully integrated, bottom cover (E-Inception)



Hook into the opening (A5) with one finger and then pull the opening forwards and downwards with your finger to release the cover (B) from the fixation. The cover will release with a jerk. **2**

The cover (B) can now be completely removed from the frame by hand. **3 + 4**

**Note:** Avoid dropping the cover to avoid damaging the locking mechanism.

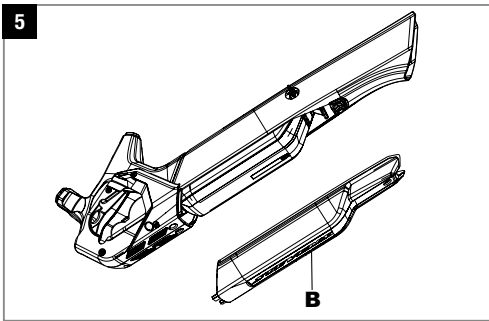
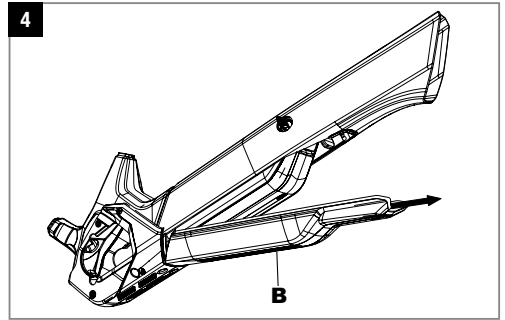
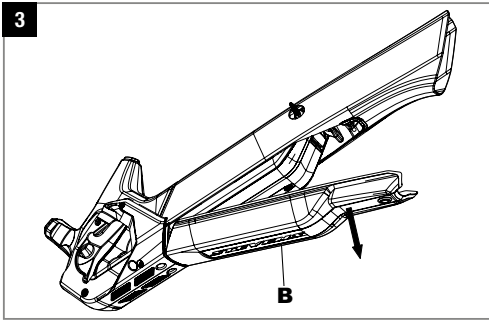
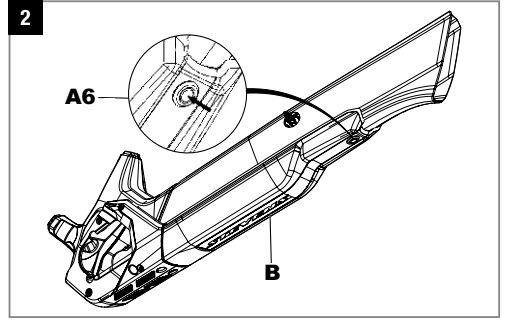
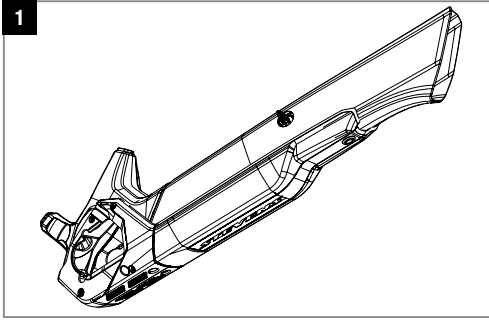
The cover (B) is now completely separated from the frame. **5**

**Note:** To close, reattach the cover in the reverse order.

### WARNING

Before each journey, check that the battery cover is correctly and firmly seated. Loosening and dropping the cover while driving can lead to an accident with hardly foreseeable consequences up to death.

## 1. Open and close battery cover | Battery semi-integrated, bottom cover



Press the button (A6) to release the cover (B) from the fixation. **2**

You can now lift the lid (B) off the frame by tilting it slightly downwards away from the frame. **3**

**Note:** Avoid dropping the cover to avoid damaging the locking mechanism.

The cover (B) can now be removed by sliding it forward. **4**

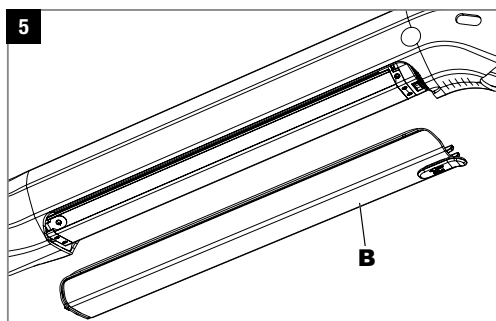
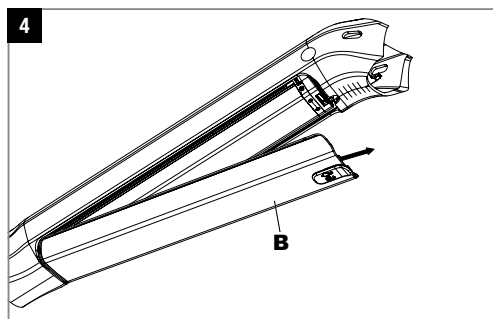
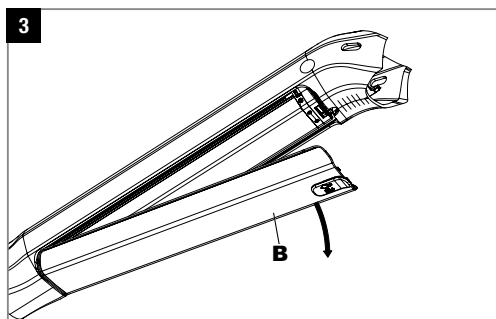
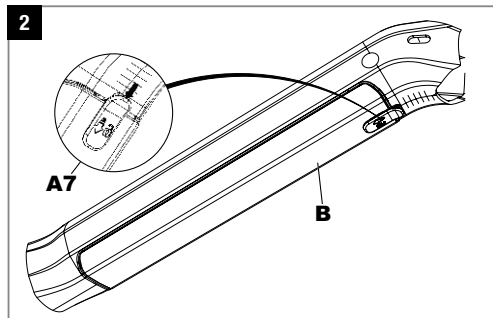
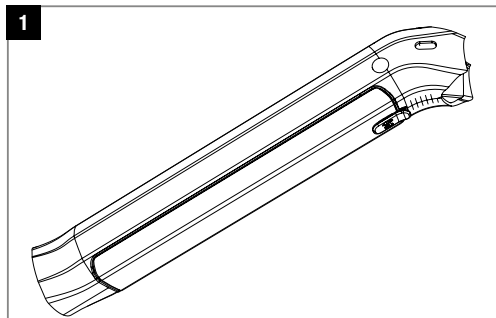
The cover (B) is now completely separated from the frame. **5**

**Note:** To close, reattach the cover in the reverse order.

### WARNING

Before each journey, check that the battery cover is correctly and firmly seated. Loosening and dropping the cover while driving can lead to an accident with hardly foreseeable consequences up to death.

## 1. Open and close battery cover | Battery fully integrated, bottom cover (E-Hardtall)



Slide the latch (A7) down to release the lid (B) from its fixation. **2**

The cover (B) detaches itself from the frame, you only have to guide it by hand. **3**

**Note:** Avoid dropping the cover to avoid damaging the locking mechanism.

The cover (B) can now be removed by sliding it sideways and to the front. **4**

The cover (B) is now completely separated from the frame. **5**

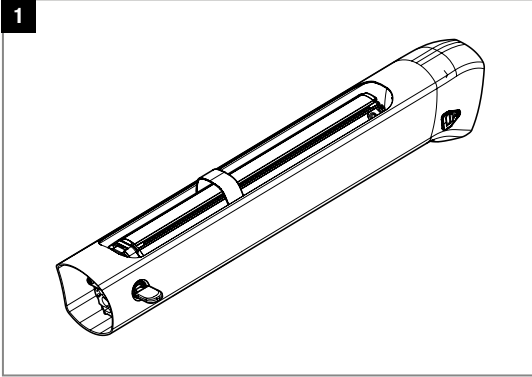
**Note:** To close, reattach the cover in the reverse order.

### WARNING

Before each journey, check that the battery cover is correctly and firmly seated. Loosening and dropping the cover while driving can lead to an accident with hardly foreseeable consequences up to death.

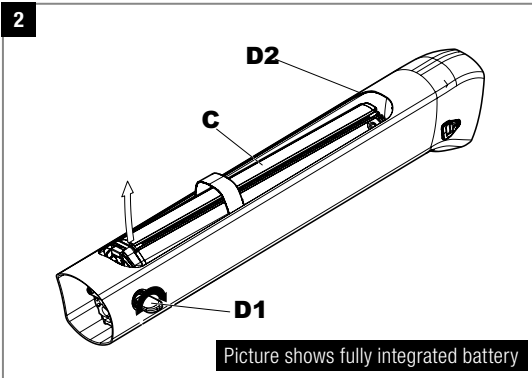
## 2. Battery removal

1



The cover (B) is now completely separated from the frame.

2



The next step is to insert the key into the lock.

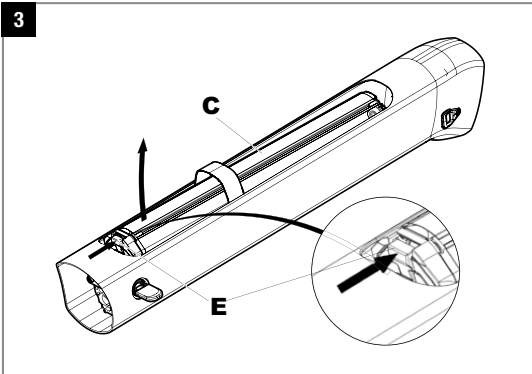
**Note:** The lock is either on the right side at the bottom (**D1**), or on the left side at the top (**D2**).

By opening the lock, the battery is lifted (C) slightly from its mounting position.

**Rotation direction:**  
**fully integrated battery > clockwise**  
**semi-integrated battery > counterclockwise**

**Note:** If the battery does not lift, pull it slightly upwards with the lock open.

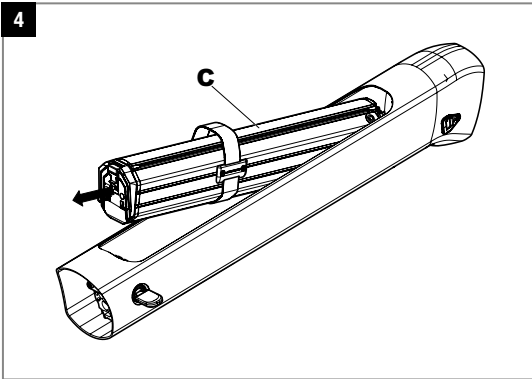
3



Be sure to first unlock the restraint system (E) with your finger. To do this, press it in the direction of the arrow. Then the battery (C) can be completely removed.

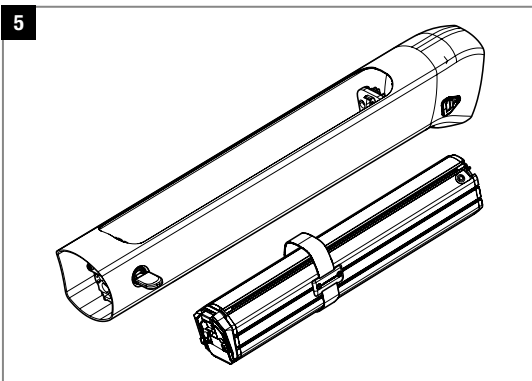


4



When removing, make sure that the battery (C) does not touch the seat tube, top tube or frame opening.

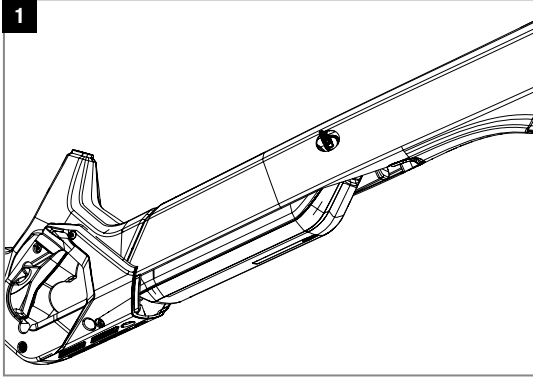
5



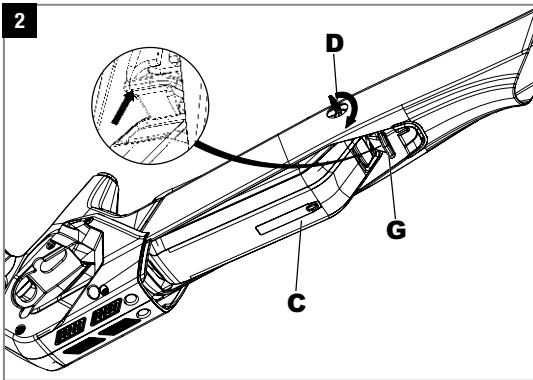
The battery is now completely separated from the frame and can be transported for charging, for example.

Please refer to the "Bosch eBike Battery Guide" manual for information on how to charge the battery.

## 2. Battery removal | Battery semi-integrated, bottom cover

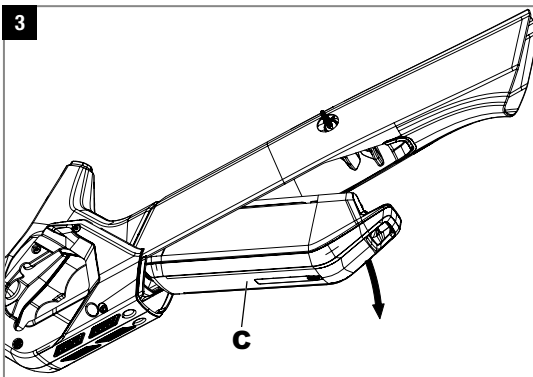


The cover (B) is now completely separated from the frame.

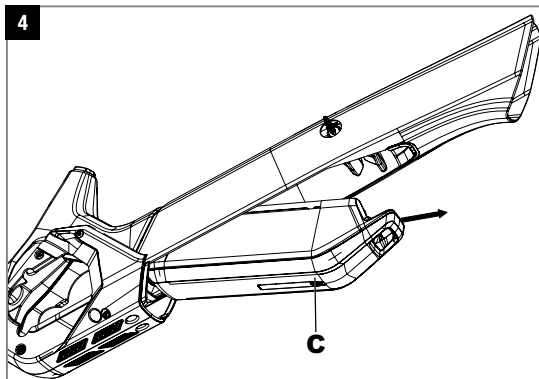


In the next step insert the key into the lock and turn the key clockwise to open the lock (D).

Press the red retaining lock (G) upward to release the battery (C) completely. Hold the battery with your hand to ensure it cannot drop out.

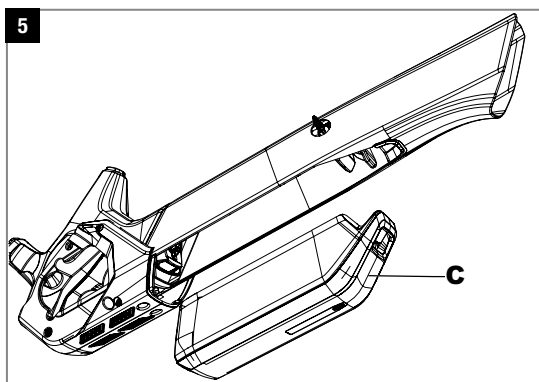


Now tilt the battery (C) downwards until it protrudes horizontally from the down tube.



In the next step pull the battery (C) forward and out of the holder.

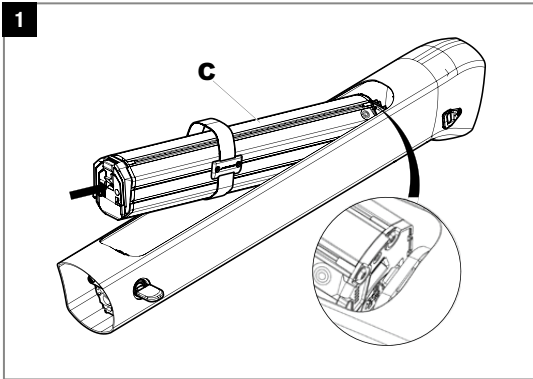
**Note:** Avoid dropping the battery to prevent it from damage.



The battery (C) is now completely separated from the frame and can be transported for charging, for example.

Please refer to the “Bosch eBike Battery Guide” manual for information on how to charge the battery.

### 3. Insert battery

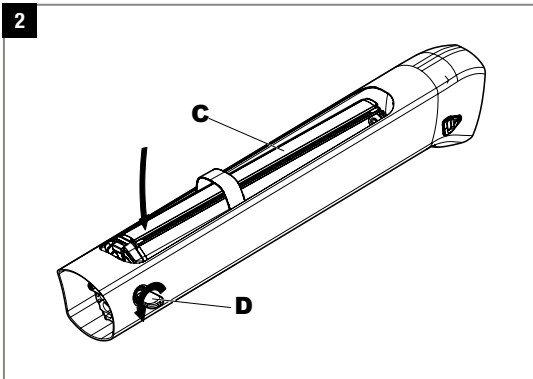


To install the battery (C), it must first be completely disconnected from the charger.

It is then carefully guided into the holder and positioned parallel to the tube.

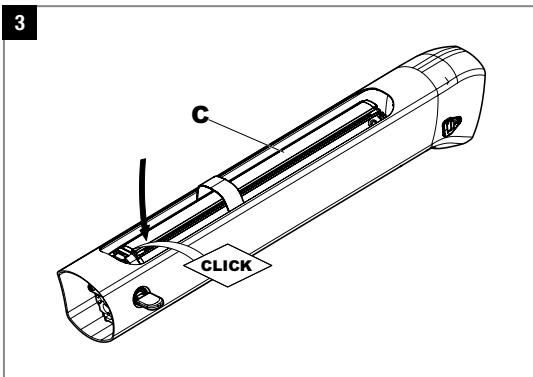
**Note:** The receptacle is **always** on the opposite side of the lock.

**Note:** The battery only fits in the receptacle in one position.



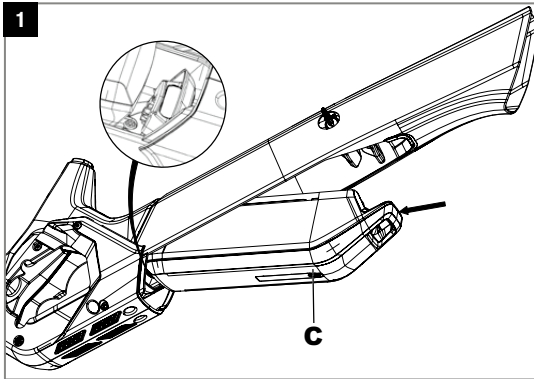
Now the battery (C) is carefully guided into the holder with the lock.

Next, open the lock by turning the key (D) counter-clockwise and let the battery slide into the holder.



To ensure battery (C) is correctly locked into position, pressure (downwards) is applied to the battery in the area of the holder with lock. A "CLICK" sound is heard when battery is securely locked into position.

### 3. Insert battery | Battery semi-integrated, bottom cover

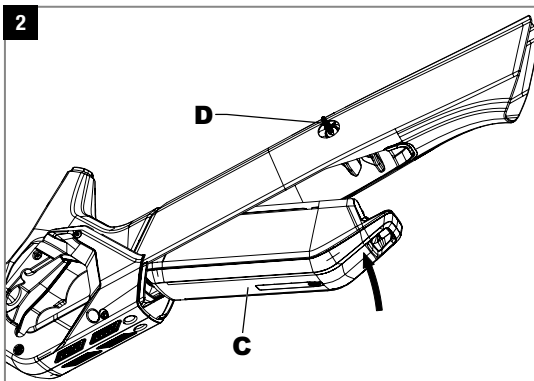


To install the battery (C), it must first be completely disconnected from the charger.

It can now carefully guided into the holder.

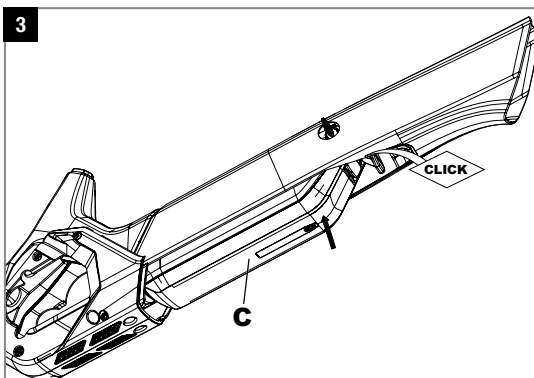
**Note:** The holder is **always** located near the drive unit.

**Note:** The battery only fits in the receptacle in one position.



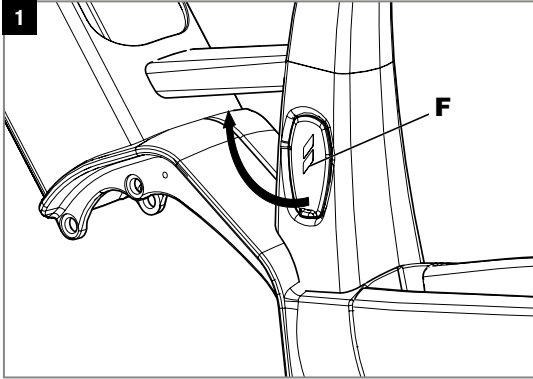
Now the battery (C) can be carefully guided upwards into the holder with lock.

Now open the lock by turning the key (D) clockwise, press the red retaining lock upward and let the battery slide into the holder.

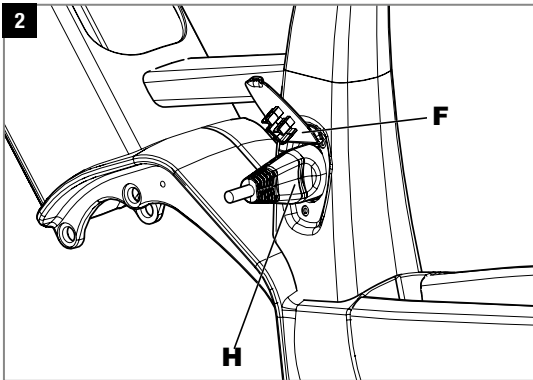


To completely lock the battery (C), apply pressure (upwards) to the battery pack in the area of the red retaining catch with lock. A "CLICK" sound is heard when the battery is securely locked into position.

#### 4. Recharging on the bike | charging socket version 1



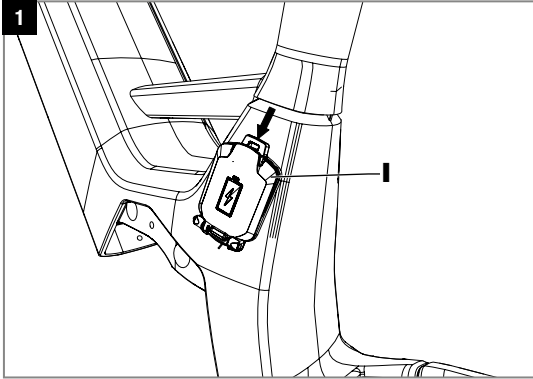
Slightly lift the cover (F) on the left side of the seat tube above the motor interface from below and carefully fold it upwards.



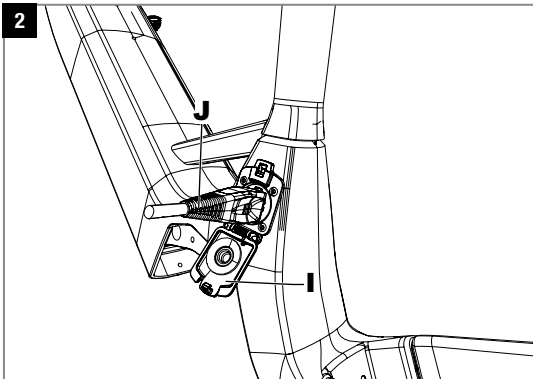
The charging socket is thus accessible for the charging plug (H). Insert the charging plug (H) by applying light pressure. The ribbed side of the plug must point towards the front wheel and the side with the recess towards the rear wheel. For details on how to charge the battery, please refer to the Bosch manual "Bosch eBike Battery Guide".

**Note:** The charging plug (H) only fits into the charging socket in this position. Incorrect handling can irreparably damage the components.

## 4. Recharging on the bike | charging socket version 2



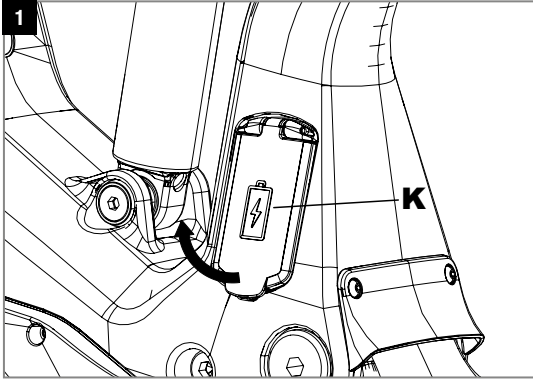
Remove the cover (I) on the left side of the seat tube above the motor interface by pressing the locking mechanism and open it downwards.



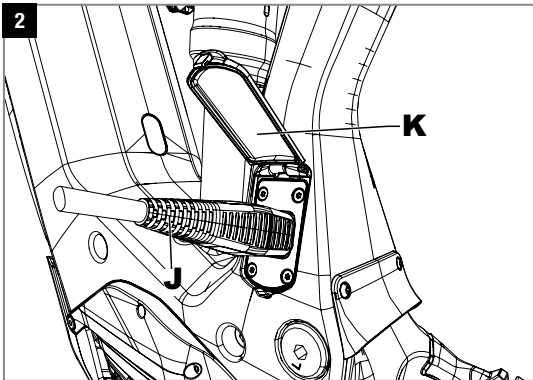
The charging socket is now accessible for the charging plug (J). Insert the charging plug (J) by applying light pressure. The grooved side of the plug must point in the direction of the front wheel and the side with the indentation towards the rear wheel. For details on how to charge the battery, please refer to the Bosch manual "Bosch eBike Battery Guide".

**Note:** The charging plug (J) only fits into the charging socket in this position. Incorrect handling can irreparably damage the components.

#### 4. Recharging on the bike | charging socket version 3



To open the cover (K) on the left side of the seat tube above the motor interface, apply light pressure to unlock it. Then lift it up slightly and carefully open it upwards.



The charging socket can now be accessed with the charging plug (J). Insert the charging plug (J) by applying light pressure. The grooved side of the plug must point towards the rear wheel and the side with the indentation must point towards the front wheel. For details on how to charge the battery, please refer to the Bosch manual "Bosch eBike Battery Guide" or the STEVENS manual.

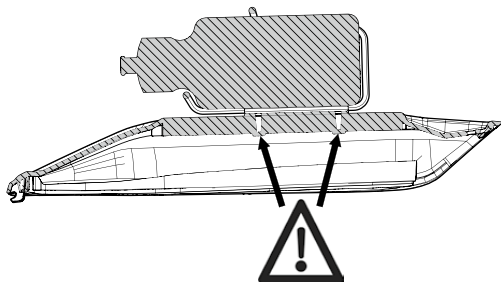
**Note:** The charging plug (J) only fits into the charging socket in this position. Incorrect handling can irreparably damage the components.





## 5. Warning: Water bottle boss threads do not go all the way through the battery cover

1



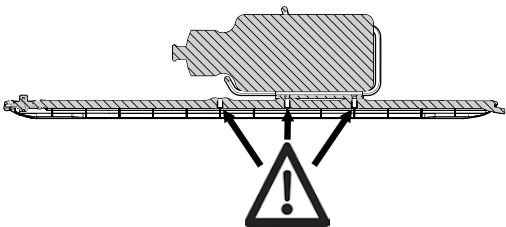
The threads for the bottle holder or accessories are **limited in how deep** they can go. A bolt can only be screwed **in to a certain depth**. The threads in the cap are M5 threads. If the screw is screwed in too far or tightened too much (MAX. 5 Nm), the cap, the thread or even the battery may be damaged. Please contact your STEVENS dealer to select the correct bolts.

**The following maximum screw-in depths apply:**

**1** Battery semi-integrated, 2 threads: 12 mm

**2** Fully integrated battery, top cover, 3 threads: 6 mm

2

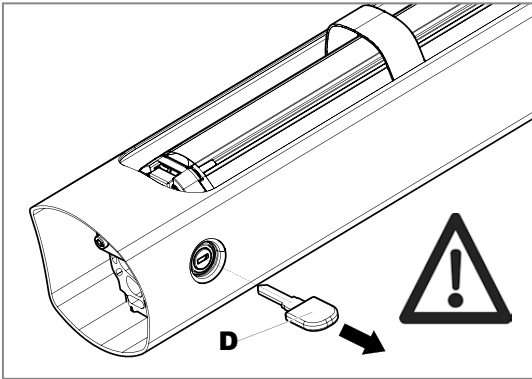


**Note top cover, 3 threads:**

There are three threads in the lid. This allows the bottle holder or other accessories to be mounted with flexibility and moved if necessary.

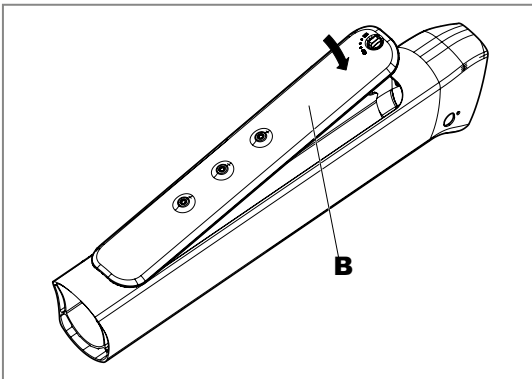
This flexibility allows more space to clear the wheel so as not to come in contact with bottle case or other accessories.

## 6. Attention: Always remove the key



**The key (D) must be removed** before pedalling or turning the cranks. If the crank arm or the shoe touches the key during movement, the key, crank arm and lock may be damaged.

## 7. Recommendation: Always remount the cover



If you have removed the battery for charging, we recommend always remounting the cover (B).

**Note:** The covers are not secured against theft. Please note this when parking in public and easily accessible places.

IHR STEVENS HÄNDLER | YOUR STEVENS DEALER

**STEVENSBIKES.DE**

---

STEVENS VERTRIEBS GMBH | ASBROOKDAMM 35 | 22115 HAMBURG | GERMANY  
TEL.: +49 40 71 60 70-0 | FAX: +49 40 46 53 14 | MAIL: INFO@STEVENSBIKES.DE