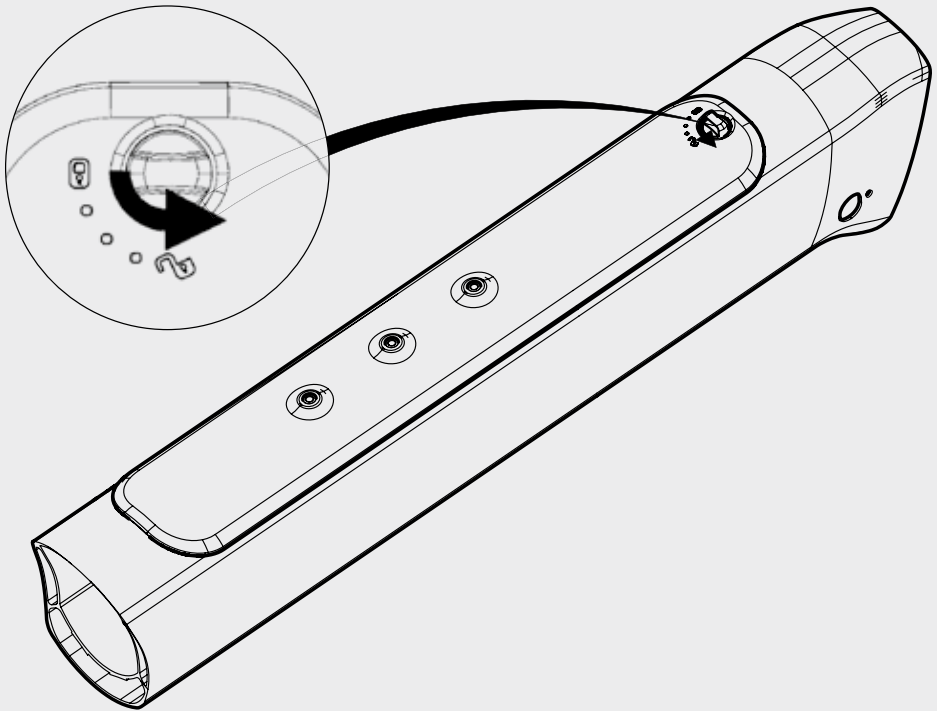


HANDLING INTEGRATED BATTERY COMPONENTS ON STEVENS E-BIKES

ASSEMBLY AND HANDLING OF THE COVER AND BATTERY REMOVAL, OPERATION
THE CHARGING SOCKET, SAFETY AND OTHER INSTRUCTIONS FOR USE //



This manual is intended to give you an introduction to the handling of battery components of STEVENS e-bike models.

You will find STEVENS specific instructions such as how to remove the battery and charge the battery when it is installed.

Further instructions and information can be found in the Bosch manual.

The pictures shown are schematic drawings, and may differ slightly from reality.



Content

Open and close battery cover*

- Fully integrated battery, top cover, 2 threads **03**
- Battery fully integrated, bottom cover **04**
- Battery semi-integrated, 2 threads **05**
- Fully integrated battery, top cover, 3 threads **06**
- Battery fully integrated, bottom cover (E-Inception) **07**

Battery removal **08**

Insert battery **10**

Recharging on the bike **11**

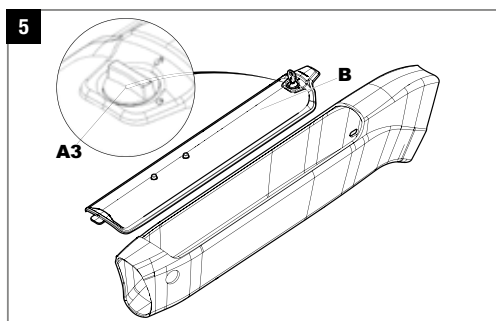
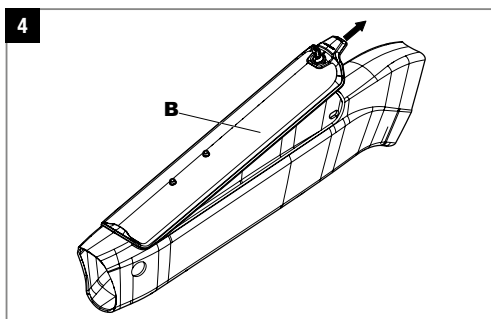
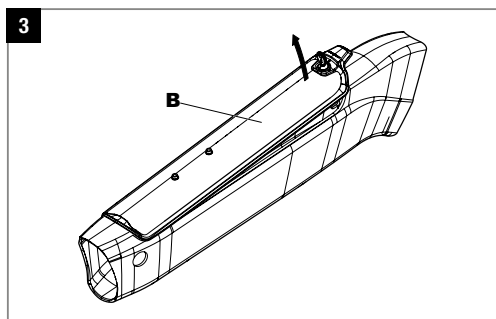
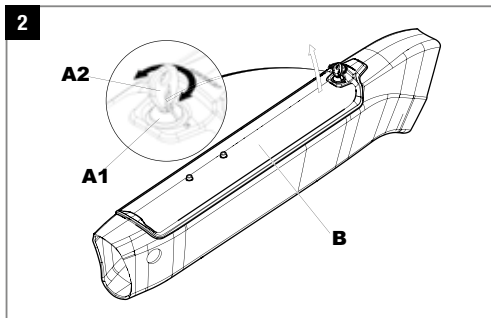
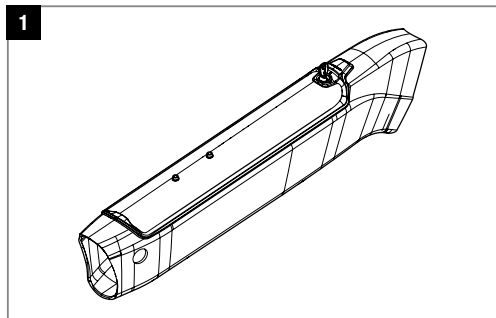
Water bottle boss threads **12**

Notes **13**



*Please mark the installed battery component above, or ask your STEVENS dealer.

1. Open and close battery cover | Fully integrated battery, top cover, 2 threads



Insert the supplied key (A2) into the twist lock (A1) and turn it clockwise or counterclockwise. The cover (B) will automatically release from the lock. **2**

You can now lift the cover (B) from the clamp in the frame by slightly tilting it backwards. **3**

The cover (B) can then be removed to the front and sides. **4**

The cover (B) is now completely separated from the frame. **5**

Note: To close, reattach the cover in the reverse order.

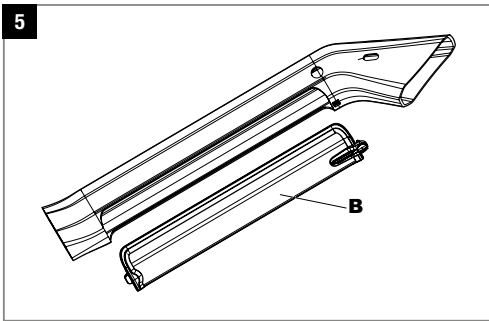
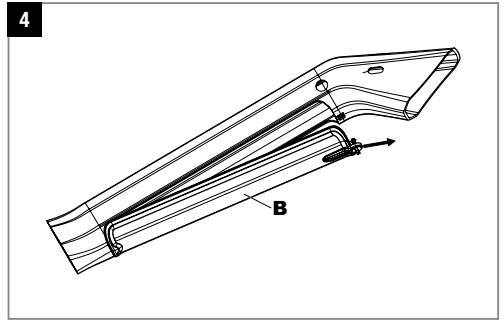
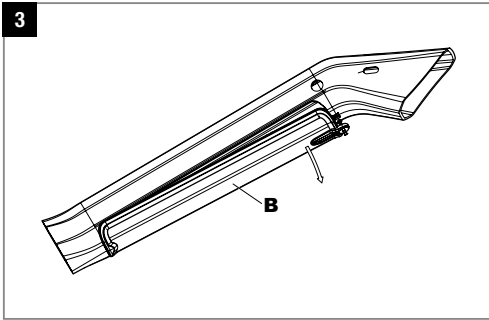
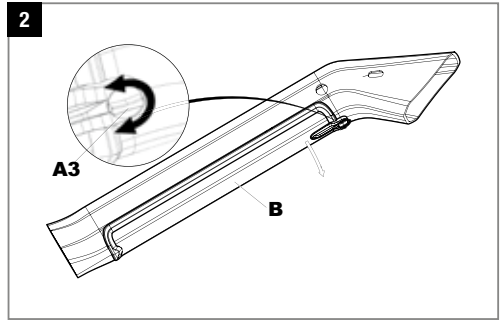
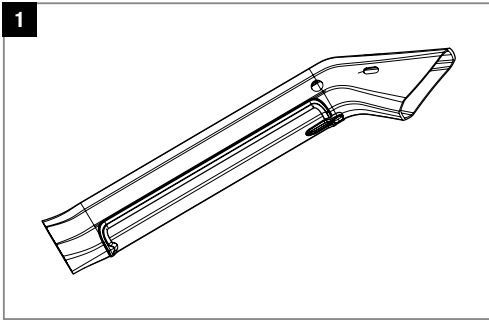
Note: Remove the key (A2) after battery locked in place.

Supplement: Your bike is factory fitted with a twist lock (A1) and key (A2). In the accessories for your bike you will find an additional lock that can only be operated manually (A3). This can be modified by your STEVENS dealer.

WARNING

Before each journey, check that the battery cover is correctly and firmly seated. Loosening and dropping the cover while driving can lead to an accident with hardly foreseeable consequences up to death.

1. Open and close battery cover | Battery fully integrated, bottom cover



Turn the shutter (A3) clockwise or counterclockwise. The cover (B) will be automatically released from the frame. **2**

The cover (B) can now be completely removed from the frame by hand.

Note: Avoid dropping the cover to avoid damaging the locking mechanism. **3**

The cover (B) can now be carefully removed from the front and sides. **4**

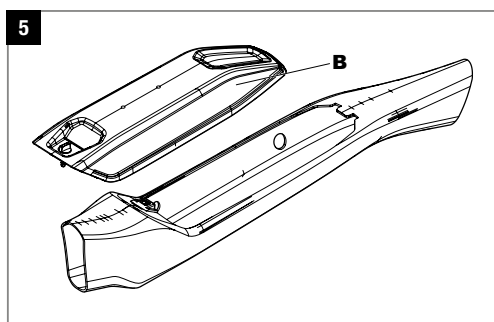
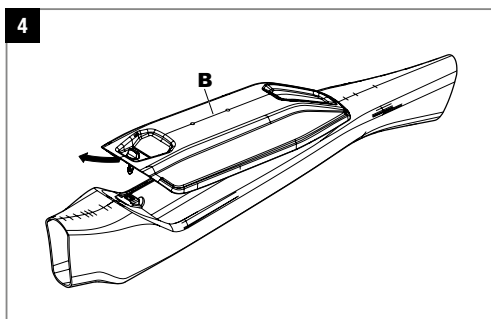
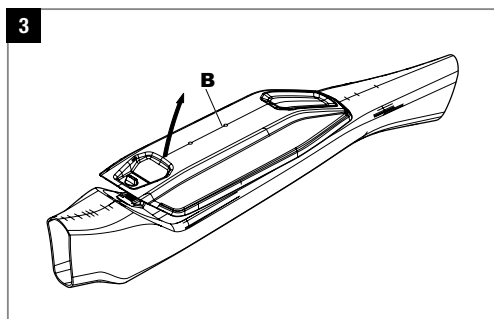
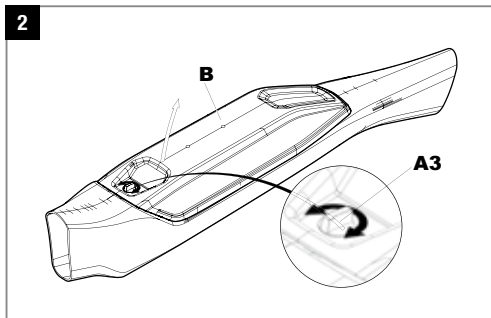
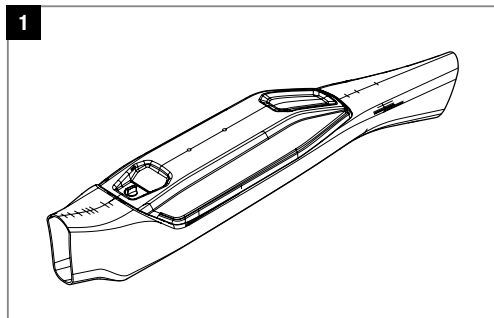
The cover (B) is now completely separated from the frame. **5**

Note: To close, reattach the cover in the reverse order.

WARNING

Before each journey, check that the battery cover is correctly and firmly seated. Loosening and dropping the cover while driving can lead to an accident with hardly foreseeable consequences up to death.

1. Open and close battery cover | Battery semi-integrated, 2 threads



Turn the shutter (A3) clockwise or counterclockwise. The cover (B) will automatically release from the fixation. **2**

You can now lift the cover (B) from the clamp in the frame by slightly tilting it forward. **3**

The cover (B) can then be removed on the back and sides. **4**

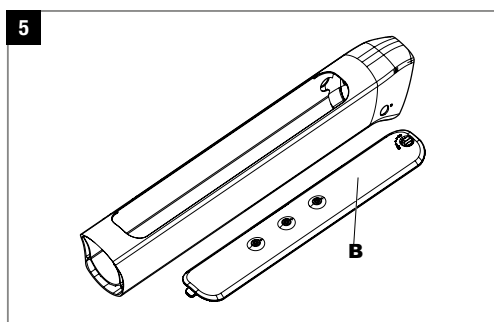
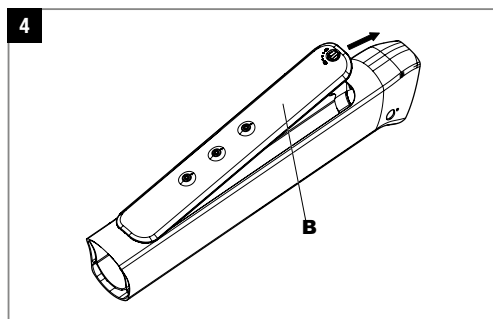
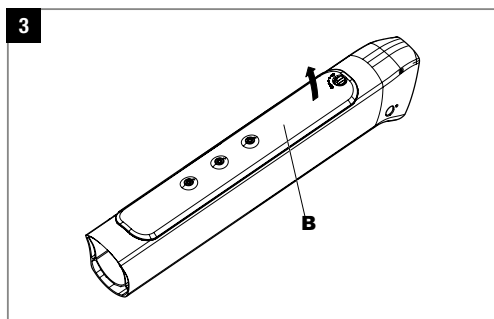
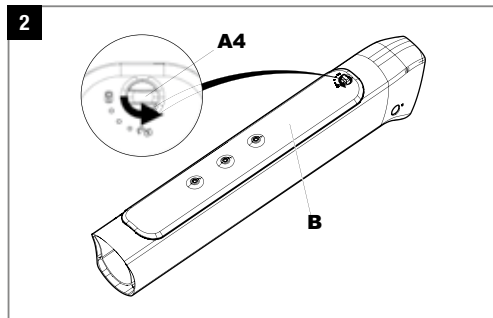
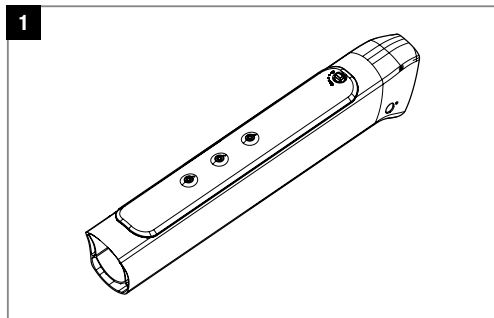
The cover (B) is now completely separated from the frame. **5**

Note: To close, reattach the cover in the reverse order.

WARNING

Before each journey, check that the battery cover is correctly and firmly seated. Loosening and dropping the cover while driving can lead to an accident with hardly foreseeable consequences up to death.

1. Open and close battery cover | Fully integrated battery, top cover, 3 threads



Turn the shutter (A4) counterclockwise. This releases the cover (B) from the fixation. **2**

You can now lift the cover (B) off the frame by slightly tilting it backwards. **3**

The cover (B) can then be removed on the front and sides. **4**

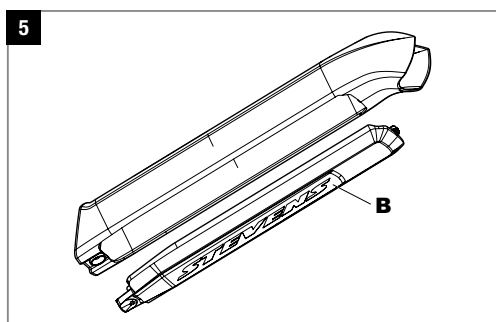
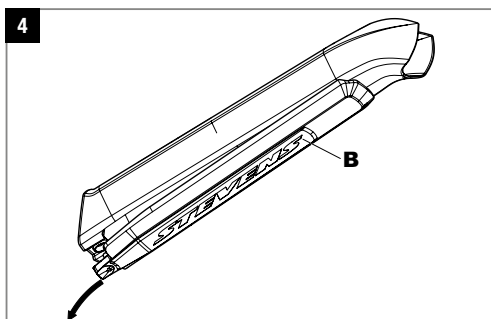
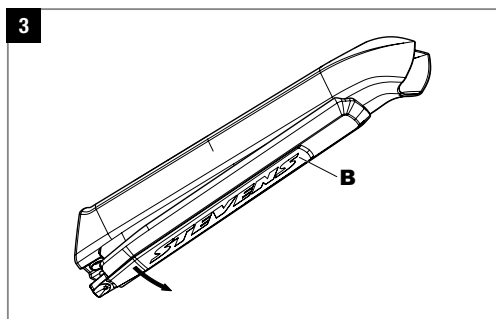
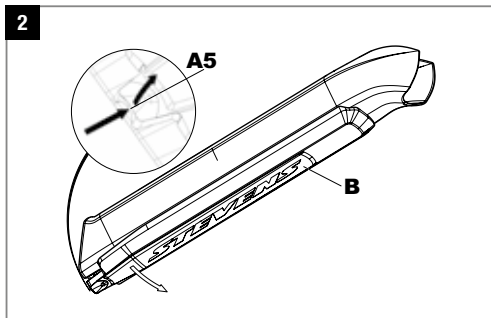
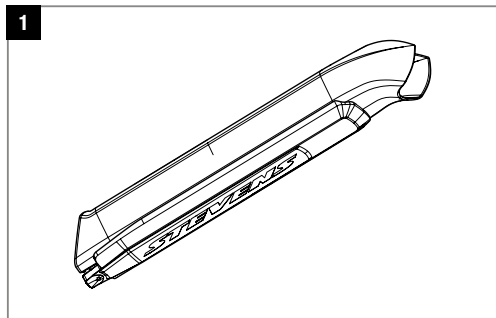
The cover (B) is now completely separated from the frame. **5**

Note: To close, reattach the cover in the reverse order.

WARNING

Before each journey, check that the battery cover is correctly and firmly seated. Loosening and dropping the cover while driving can lead to an accident with hardly foreseeable consequences up to death.

1. Open and close battery cover | Battery fully integrated, bottom cover (E-Inception)



Hook into the opening (A5) with one finger and then pull the opening forwards and downwards with your finger to release the cover (B) from the fixation. The cover will release with a jerk. **2**

The cover (B) can now be completely removed from the frame by hand. **3 + 4**

Note: Avoid dropping the cover to avoid damaging the locking mechanism.

The cover (B) is now completely separated from the frame. **5**

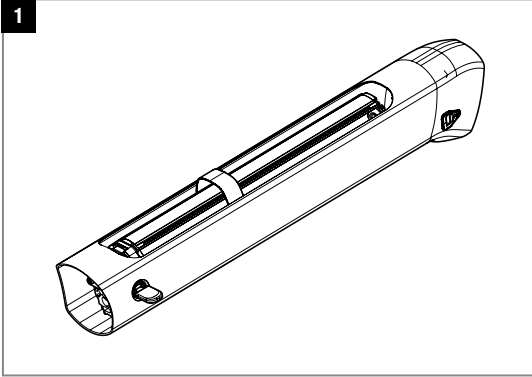
Note: To close, reattach the cover in the reverse order.

WARNING

Before each journey, check that the battery cover is correctly and firmly seated. Loosening and dropping the cover while driving can lead to an accident with hardly foreseeable consequences up to death.

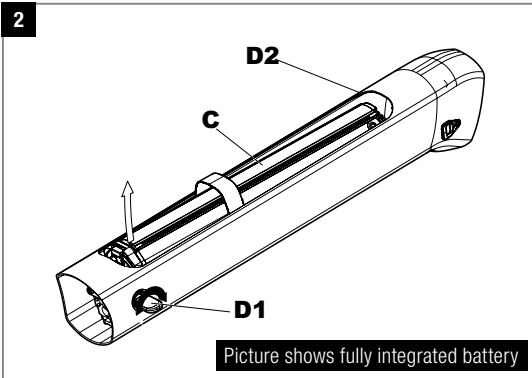
2. Battery removal

1



The cover (B) is now completely separated from the frame.

2



The next step is to insert the key into the lock.

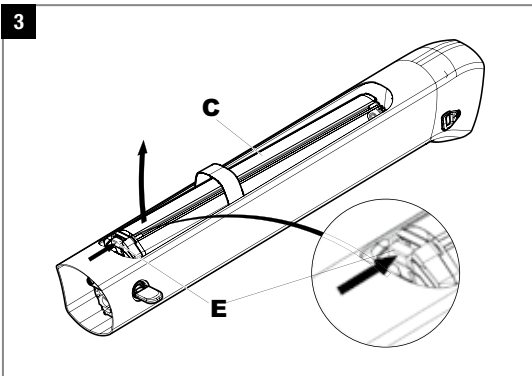
Note: The lock is either on the right side at the bottom (D1), or on the left side at the top (D2).

By opening the lock, the battery is lifted (C) slightly from its mounting position.

Rotation direction:
fully integrated battery > clockwise
semi-integrated battery > counterclockwise

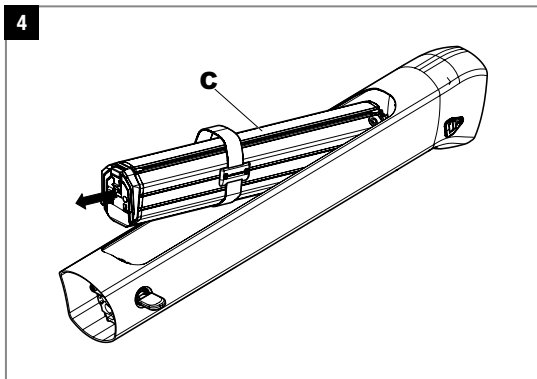
Note: If the battery does not lift, pull it slightly upwards with the lock open.

3



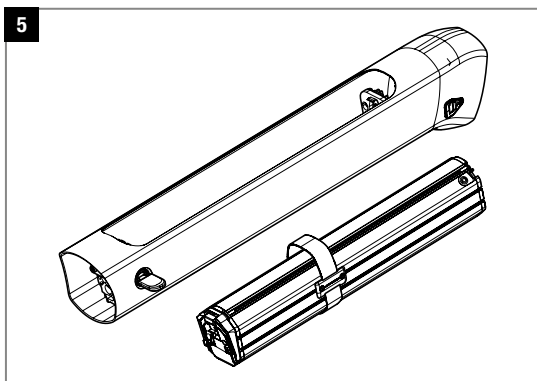
Be sure to first unlock the restraint system (E) with your finger. To do this, press it in the direction of the arrow. Then the battery (C) can be completely removed.

4



When removing, make sure that the battery (C) does not touch the seat tube, top tube or frame opening.

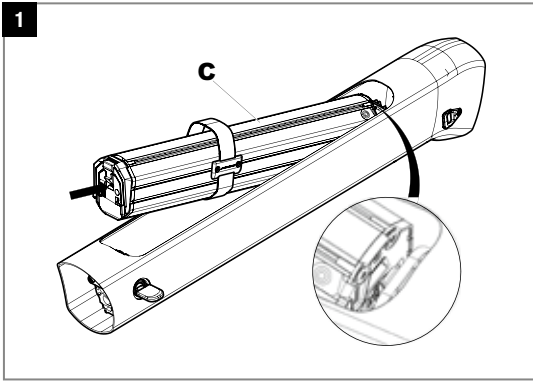
5



The battery is now completely separated from the frame and can be transported for charging, for example.

Please refer to the “Bosch eBike Battery Guide” manual for information on how to charge the battery.

3. Insert battery

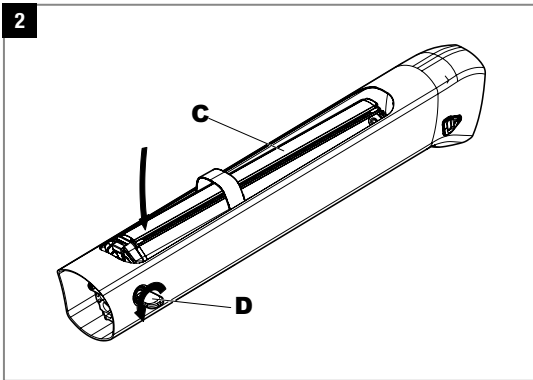


To install the battery (C), it must first be completely disconnected from the charger.

It is then carefully guided into the holder and positioned parallel to the tube.

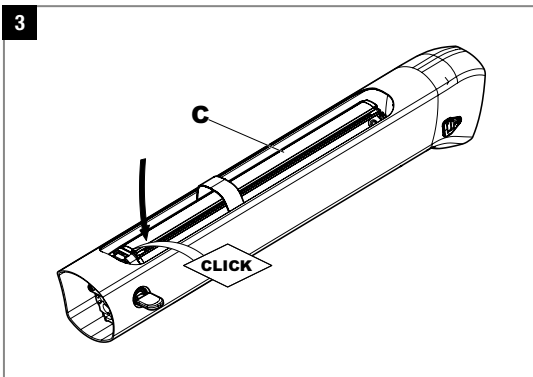
Note: The receptacle is **always** on the opposite side of the lock.

Note: The battery only fits in the receptacle in one position.



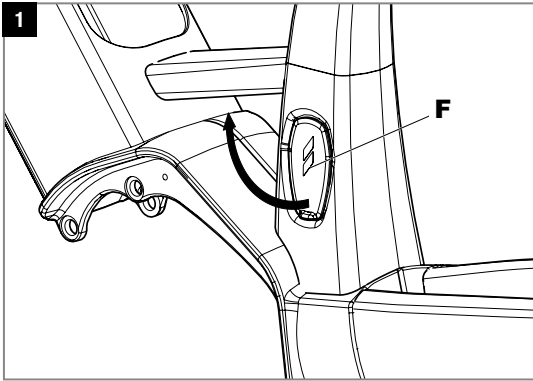
Now the battery (C) is carefully guided into the holder with the lock.

Next, open the lock by turning the key (D) counterclockwise and let the battery slide into the holder.

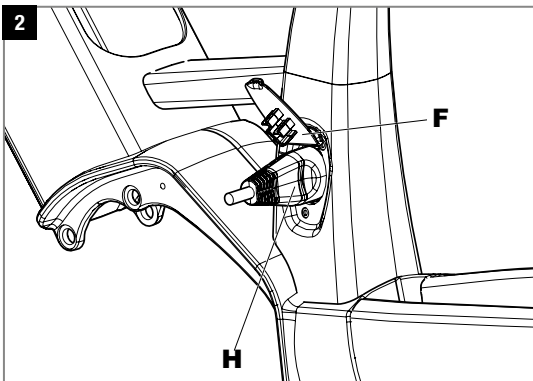


To ensure battery (C) is correctly locked into position, pressure (downwards) is applied to the battery in the area of the holder with lock. A "CLICK" sound is heard when battery is securely locked into position.

4. Recharging on the bike



Slightly lift the cover (F) on the left side of the seat tube above the motor interface from below and carefully fold it upwards.

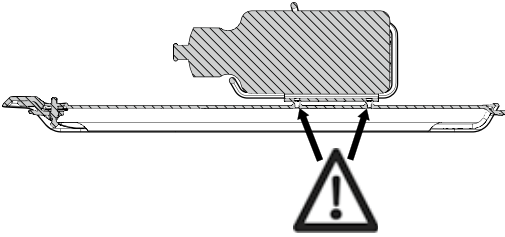


The charging socket is thus accessible for the charging plug (H). Insert the charging plug (H) by applying light pressure. The ribbed side of the plug must point towards the front wheel and the side with the recess towards the rear wheel. Please refer to the "Bosch eBike Battery Guide" manual for information on how to charge the battery.

Note: The charging plug (H) only fits into the charging socket in this position. Incorrect handling can irreparably damage the components.

5. Warning: Water bottle boss threads do not go all the way through the battery cover

1



The threads for the bottle holder or accessories are **limited in how deep** they can go. A bolt can only be screwed **in to a certain depth**. The threads in the cap are M5 threads. If the screw is screwed in too far or tightened too much (MAX. 5 Nm), the cap, the thread or even the battery may be damaged. Please contact your STEVENS dealer to select the correct bolts.

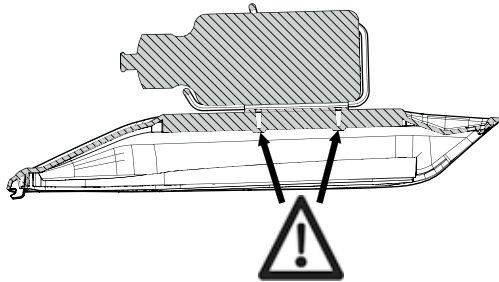
The following maximum screw-in depths apply:

1 Fully integrated battery, top cover, 2 threads: 6 mm

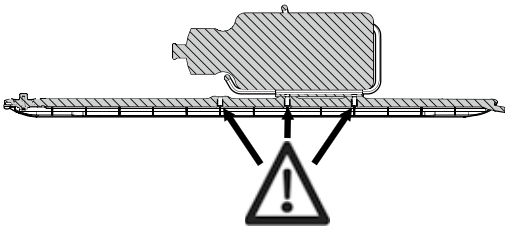
2 Battery semi-integrated, 2 threads: 12 mm

3 Fully integrated battery, top cover, 3 threads: 6 mm

2



3

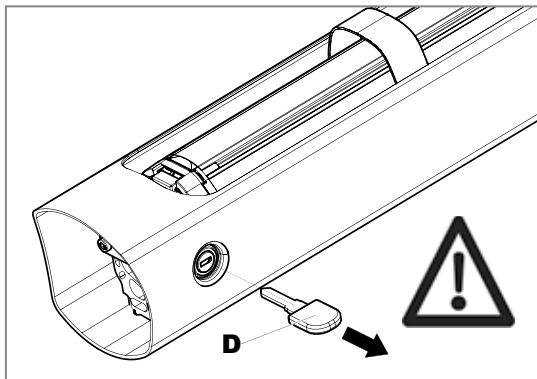


Note top cover, 3 threads:

There are three threads in the lid. This allows the bottle holder or other accessories to be mounted with flexibility and moved if necessary.

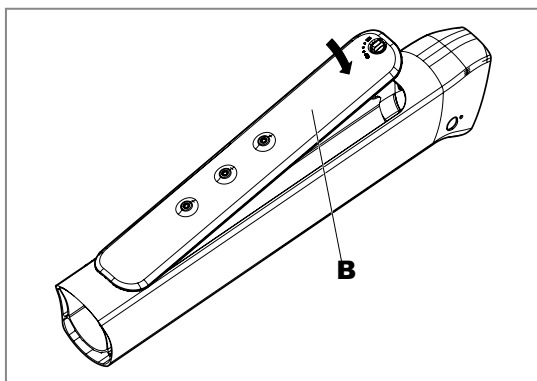
This flexibility allows more space to clear the wheel so as not to come in contact with bottle case or other accessories.

6. Attention: Always remove the key



The key (D) must be removed before pedalling or turning the cranks. If the crank arm or the shoe touches the key during movement, the key, crank arm and lock may be damaged.

7. Recommendation: Always remount the cover



If you have removed the battery for charging, we recommend always remounting the cover (B).

Note: The covers are not secured against theft. Please note this when parking in public and easily accessible places.

STEVENSBIKES.DE



IHR STEVENS HÄNDLER | YOUR STEVENS DEALER